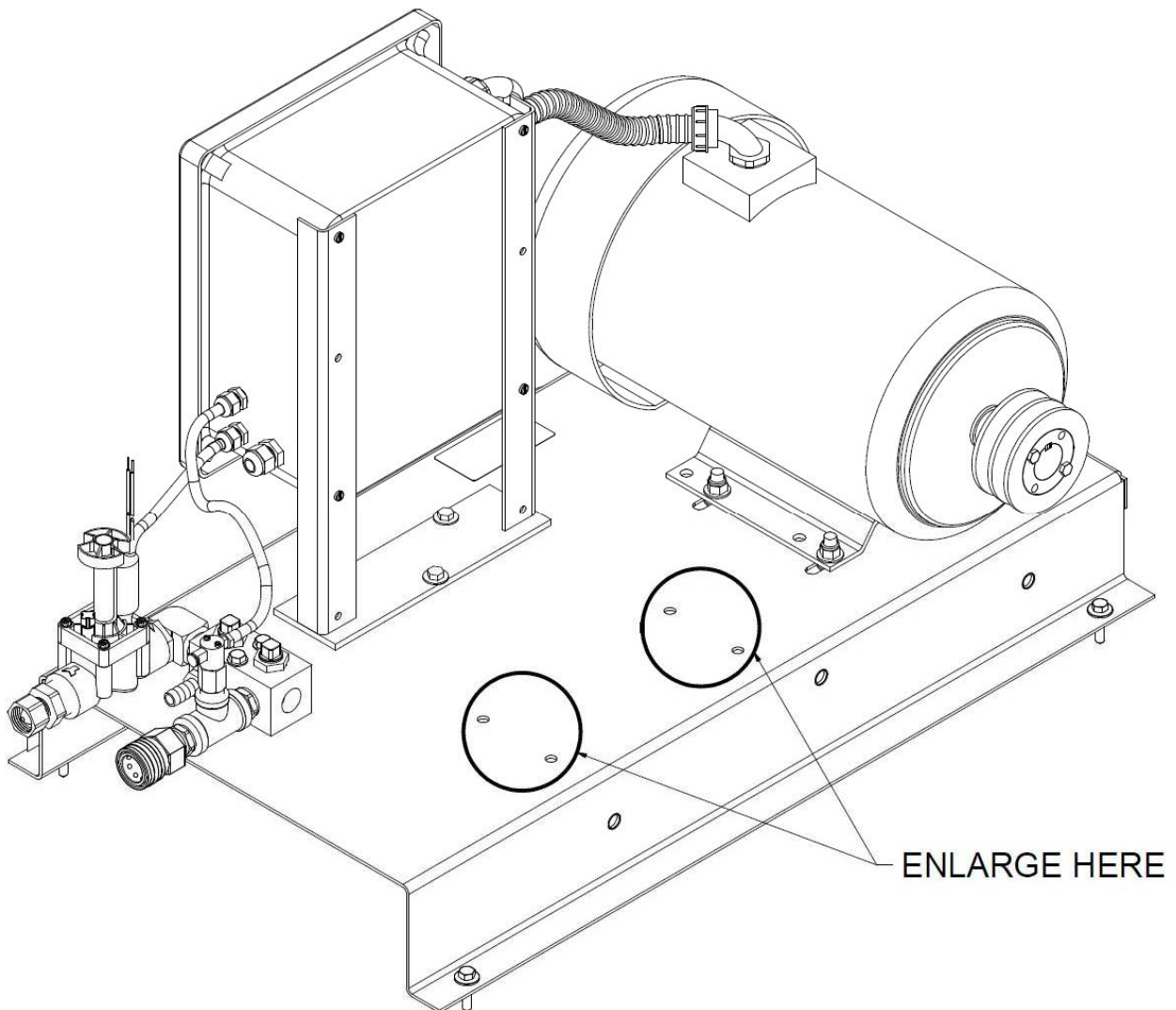


CHV PUMP REPLACEMENT INSTRUCTIONS

NOTE: Manufacturers have made some minor physical changes to this style pump. These changes will require a few simple steps to be taken in order to replace your diaphragm pump correctly. Serial plates on old pumps (#3-0281) should be stamped with “K100VAIND” and new pumps (#3-0405) should be “D100VAIND”.

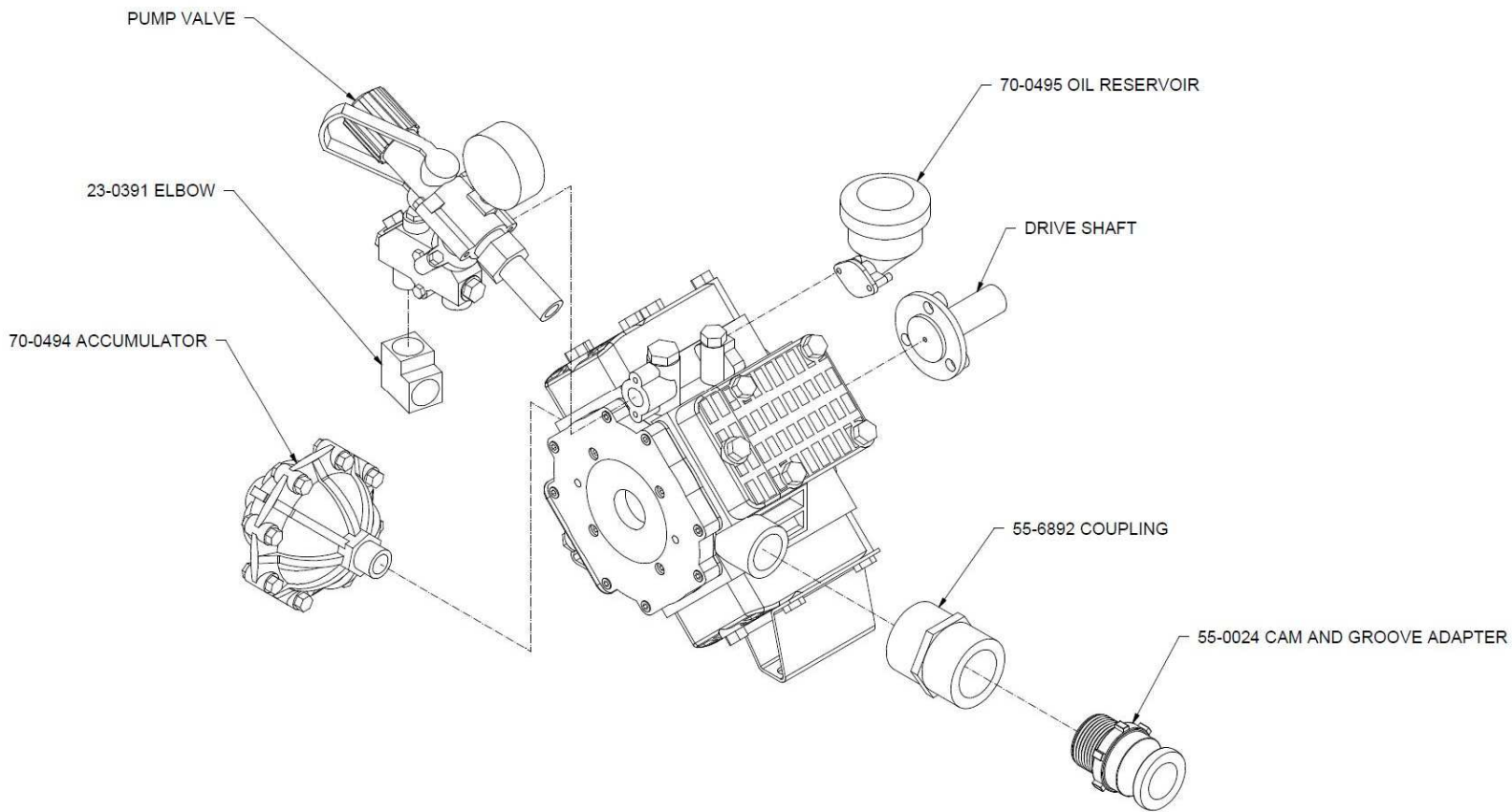
1. After removing the previous pump from the baseplate, use a 7/16” drill bit to enlarge each of the four holes on the baseplate to which the pump mounts.



These instructions are valid on any unit built previous to serial # 10836999

CHV PUMP REPLACEMENT INSTRUCTIONS

2. Assemble the new pump according to the diagram below. Fastening hardware is included. Pump components are pre-set by manufacturer and will not need adjustment.

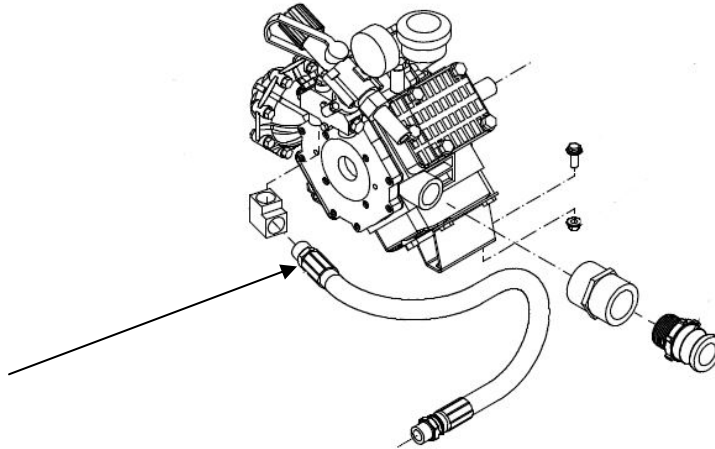


3. Install pump to the baseplate. With your new pump in place, tighten the mounting bolts.

These instructions are valid on any unit built previous to serial # 10836999

CHV PUMP REPLACEMENT INSTRUCTIONS

4. Assemble the stainless steel hose (part #15-0268) onto your newly mounted replacement pump.



5. Remove and discard the old belt guard support bracket. Install new bracket designed to fit your new replacement pump. Attach this new bracket accordingly.

*****Pump head bolts should be torqued to 28.0 FT/LBS*****



NEW STYLE



OLD STYLE

6. After assembling; align sheaves, re-install belts, and belt guard.

*****These instructions are valid on any unit built previous to serial # 10836999*****